



HIGH STYLE convertible radiator valves - lockshields and thermostatic controls for designer heating systems 4001 - 4003 - 4004 series

Function

Convertible radiator valves and lockshields are typically used to shut off and balance the flow rate of medium on the terminal emitters of heating and air-conditioning systems.

Whereas thermostatic controls are used in automatically regulating the ambient temperature on the set value: for this purpose valves can be converted from manual to thermostatic by simply replacing the control knob with the thermostatic control. **The chrome-plating and special design of this series of products make them particularly suited to the styling requirements of designer heating systems.**

Pair comprising:

- convertible radiator valve
- lockshield
- mechanical fittings for copper pipe
- two pipe-cover/wall-cover finishing shells and allen key

Product range

4001 series	Valve and lockshield pair, angled connections	1/2"
4003 series	Valve and lockshield pair, double angled connections	1/2"
4004 series	Valve and lockshield pair, double angled connections	1/2"
200013 code	Thermostatic control head, high chrome finish	
209004 code	Tamperproof antitheft cap, high chrome finish	

Technical specifications

4001 - 4003 - 4004 series

Valve body:

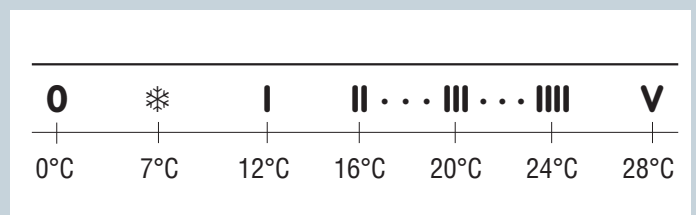
- Body: brass EN 12165 CW617N, high chrome finish
- Control device upper part: brass EN 12164 CW614N
- Obturator control stem: stainless steel
- Spring: stainless steel
- Lockshield obturator control stem: brass EN 12164 CW614N
- Hydraulic seals: EPDM
- Control knob: ABS, high chrome finish
- Knob cap: PA, high chrome finish
- Lockshield knob: brass EN 12164 CW614N, high chrome finish
- Pipe-cover shell: ABS, high chrome finish

Valve or lockshield connections:

- 1/2" x 23 p.1,5 - Ø 12 with 447012 code fittings
- 1/2" x 23 p.1,5 - Ø 14 with 447014 code fittings

- Medium: water, glycol solutions
- Max percentage of glycol: 30%
- Max working pressure: 10 bar
- Max differential pressure with control fitted: 1 bar
- Temperature range: 5-100°C

Thermostatic control:



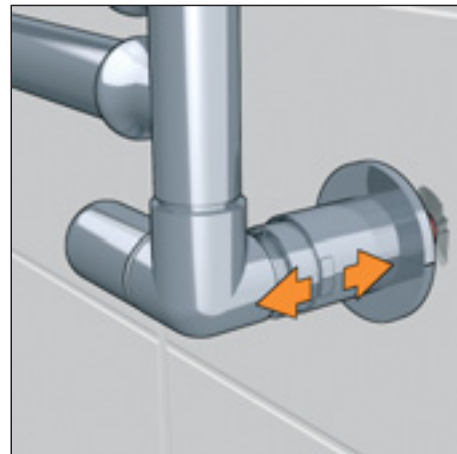
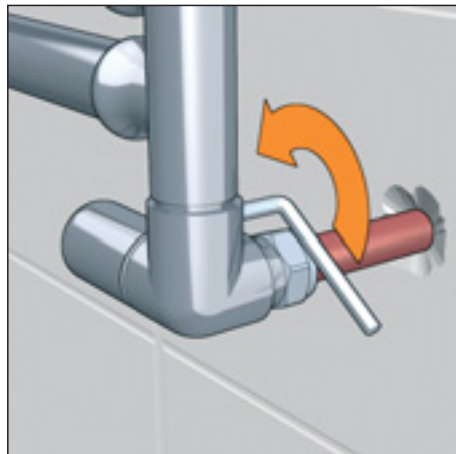
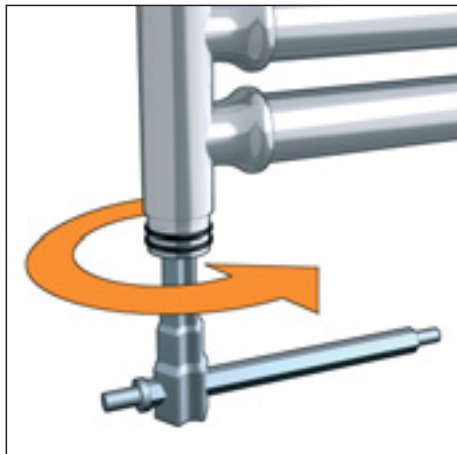
- Adjustment range: 0-5
- Adjustment temperature range: 0-28°C
- Antifreeze trigger: ~ 7°C
- Max ambient temperature: 50°C

Installation

Valve / lockshield coupling

The coupling between valve/lockshield and designer heating system must be made using the specific tail piece with sealing.

1. Screw the tail piece onto the radiator using the 387127 code Caleffi unions key.
2. After connecting the valve/lockshield to the pipes, couple the tail piece with the valve by pressing it home, slightly lifting the designer heating system to be able to facilitate the operation.
3. Lock the valve to the tail piece by screwing the socket head screw into the hole shown.
4. Place the special finishing shell onto the valve and pipe.



Example of high-style valve installation for designer heating systems with manual knob



Example of high-style valve installation for designer heating systems with thermostatic control



We reserve the right to change our products and their relevant technical data contained in this publication at any time and without prior notice.